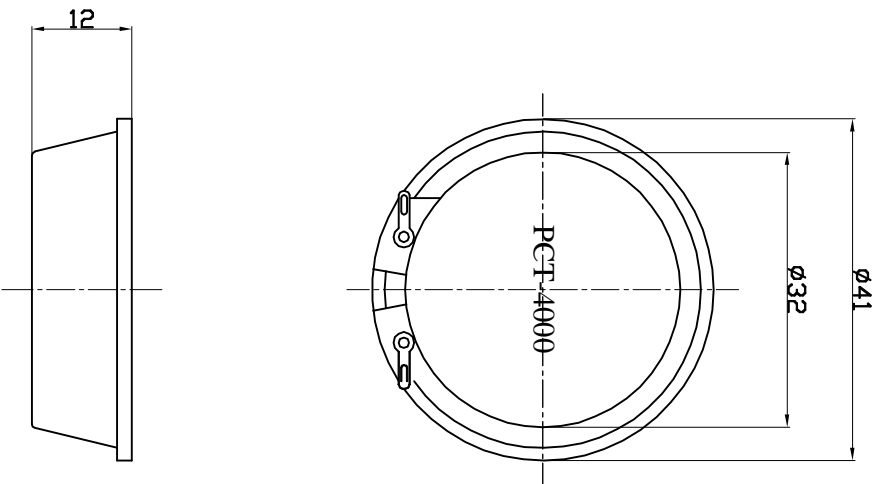
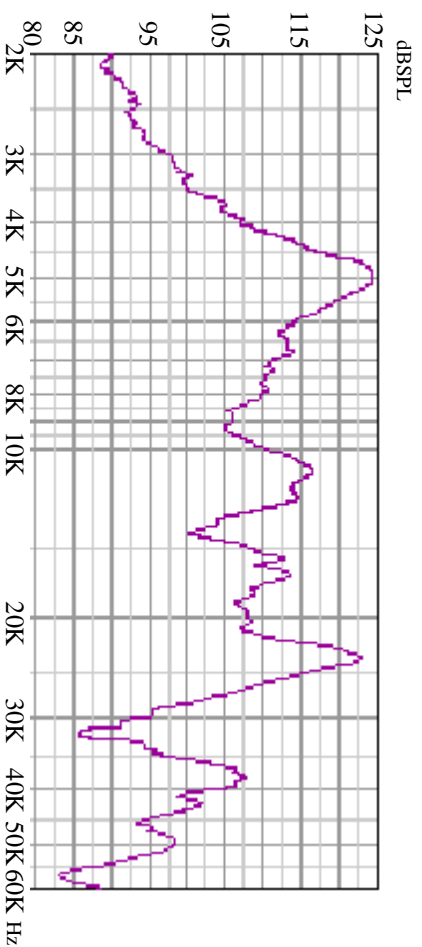


SPECIFICATION

1. Rated Voltage10V-p-p
2. Max. Rated Long Power30V-p-p
3. Min. Sound Pressure Level80±3dB/W.m
4. Rated Frequency22±3KHz
5. Rated Frequency Range2.5~20KHz
6. Case Material/ColorPC/Black
7. Operating Temperature-20~+70℃
8. Store Temperature-30~+80℃
9. Weight6g



| | | | | | | | | | |
|--|-------------|---|------|---|--------------|--|-------|--|--|
| KEPO NINGBO KEPO ELECTRONIC CO.,LTD http://www.chinaacoustic.com | | | | | | | | | |
| Ultra Somic Transducer | | | | | | | | | |
| PCT-4000 | | | | | | | | | |
| No. | DESCRIPTION | APPROVED | DATE | UNIT | SCALE | DRAWING | SHEET | | |
| | FORMING | | | mm | NOT TO SCALE | KEP3,8:40,5:06 | 1.2 | | |
| <small> 1. DRAWING STANDARDS 2. DIMENSIONS 3. UNITS 4. TOLERANCES 5. SURFACE FINISH 6. MATERIALS 7. TREATMENTS 8. MARKING 9. OTHERS </small> | | <small> DRAWN CHECKED APPROVED </small> | | <small> DATE 05.03.31 </small> | | <small> UNIT SCALE DRAWING SHEET </small> | | | |

| | | | | | | | | |
|---|---|---|---|---|---|---|---|---|
| A | 1 | 2 | 3 | 4 | 5 | 6 | 7 | 8 |
| B | | | | | | | | |
| C | | | | | | | | |
| D | | | | | | | | |
| E | | | | | | | | |
| F | 1 | 2 | 3 | 4 | 5 | 6 | 7 | 8 |